

Humidistat

For detection of relative humidity. For regulation or control of fans, drying units and humidifiers. Installation in an air duct or on a wall. With single-pole changeover contact and temperature compensation. NEMA 13 / IP55 verified.


Type Overview

Type	Output signal	Probe length	Additional features
01DH-10N	Switch	156 mm	Auto reset

Technical Data

Electrical data	Electrical connection	1.5 mm ² Cu wire or 1.0 mm ² Cu strands (2-wire)
	Cable entry	Cable gland with strain relief Ø6...8 mm
Functional data	Output signal switch note	changeover contact, isolated max. switching current 5 (3) A @ AC 250 V min. switching current 100 mA @ AC 24 V
	Switching differential (humidity)	Typ. 4% r.H. (fixed)
Measuring data	Application	Air
	Measuring values	Relative humidity
	Measuring range humidity	15...95% r.H.
	Accuracy humidity	Setting accuracy: ±5% r.H.
	Long-term stability	-1.5% r.H./a
	Time constant t (63%) in the air duct	typical 180 s @ 0.2 m/s
Materials	Cable gland	PA6, black
	Housing	Cover with lens: Lexan Bottom: PPS, PS and steel Seal: NBR and CR
Safety data	Ambient humidity	Max. 90% r.H., non-condensing
	Ambient temperature	0...70°C [32...160°F]
	Operating condition air flow	max. 10 m/s
	Protection class IEC/EN	II reinforced insulation
	EU Conformity	CE Marking
	Degree of protection IEC/EN	IP55
	Degree of protection NEMA/UL	NEMA 13
	EMC	CE according to 2014/30/EU
	Low voltage directive	CE according to 2014/35/EU
	Quality Standard	ISO 9001

Safety notes


This device has been designed for use in stationary heating, ventilation and air-conditioning systems and must not be used outside the specified field of application. Unauthorised modifications are prohibited. The product must not be used in relation with any equipment that in case of a failure may threaten humans, animals or assets.

Ensure all power is disconnected before installing. Do not connect to live/operating equipment.

Only authorised specialists may carry out installation. All applicable legal or institutional installation regulations must be complied during installation.

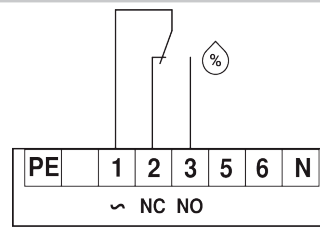
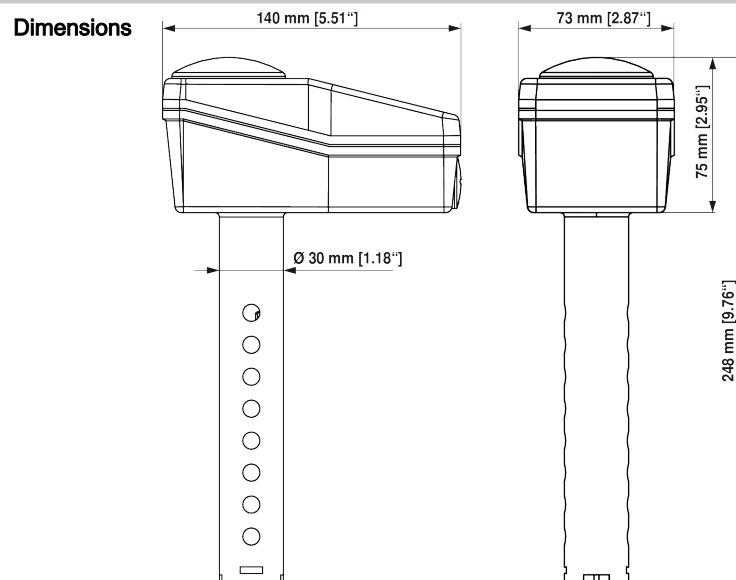
The device contains electrical and electronic components and must not be disposed of as household refuse. All locally valid regulations and requirements must be observed.

Scope of delivery

Installation kit
1/2" NPT conduit adapter

Accessories

Optional accessories	Description	Type
	Connection adapter, M20x1.5, for cable 1x6 mm,	A-22G-A01.1

Wiring diagram

Dimensions


Type	Weight
01DH-10N	0.40 kg