

Temperature monitor TW

For monitoring temperatures in heating water, hot water systems and other applications in heating, ventilation and air conditioning systems. When the setpoint temperature is reached, the 1-pin changeover contact (SPDT) is switched.

Four different mounting types are possible.

- Pipe contact mounting
- Thermowell mounting
- Wall mounting with probe in flange
- Wall mounting with probe in immersion sleeve



Type Overview

Type	Output signal temperature switch	Additional features	Capillary
01HT-101CA	Changeover	Auto reset	1 m

Technical Data

Electrical data	Electrical connection	Spring loaded terminal block max. 2.5 mm ²
	Cable entry	Cable gland with strain relief M20x1.5 mm, for cable Ø6...12 mm
Functional data	Output signal passive temperature	Changeover
	Output signal temperature switch note	AC 230 V 16 (2.5) A @ Switch position 1-2 AC 230 V 6.3 (2.5) A @ Switch position 1-4
	Switching reliability	min. switching current 100 mA @ AC 24 V
	Application	Air/Water
Measuring data	Measuring values	Temperature
	Measuring range temperature	30...90°C
	Setting range Temperature	30...90°C
	Switching differential (temperature)	Typ. 4.2 K
	Accuracy temperature passive	±1.8 K (upper third of measuring range) ±3.6 K (at scale beginning of measuring range)
	Materials	Cable gland
Housing		Bottom: PA (RAL7001, silver grey) Cover: ABS with inspection glass (PMMA) Seal: NBR
Capillary		Copper

Safety data	Ambient humidity	Max. 95% r.H., non-condensing
	Ambient temperature	0...80°C
	Ambient temperature note	On temperature probe max. setpoint +25 K, on switch head max. 80°C
	Fluid temperature	Up to max. 115°C
	Storage temperature	-30...80°C
	EU Conformity	CE Marking
	Certification IEC/EN	DIN EN 60730-1 and DIN EN 14597
	Degree of protection IEC/EN	IP54
	Degree of protection note	IP protection with mounted sealing elements
	Quality Standard	ISO 9001
	Mode of operation	Type 2 BL

Safety notes


This device has been designed for use in stationary heating, ventilation and air-conditioning systems and must not be used outside the specified field of application. Unauthorised modifications are prohibited. The product must not be used in relation with any equipment that in case of a failure may threaten humans, animals or assets.

Ensure all power is disconnected before installing. Do not connect to live/operating equipment.

Only authorised specialists may carry out installation. All applicable legal or institutional installation regulations must be complied during installation.

The device contains electrical and electronic components and must not be disposed of as household refuse. All locally valid regulations and requirements must be observed.



During installation, testing, servicing and troubleshooting of this product, it may be necessary to work with live electrical components. Have a qualified licensed electrician or other individual who has been properly trained in handling live electrical components perform these tasks. Failure to follow all electrical safety precautions when exposed to live electrical components could result in death or serious injury.

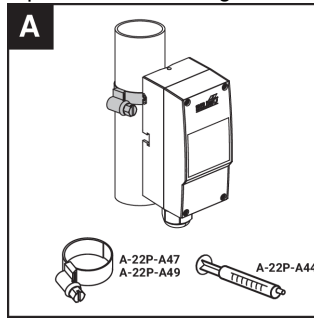
Remarks

Switching function If the temperature on the sensor exceeds the setpoint value, the changeover is activated by the transmission mechanics and the electrical circuit is opened resp. closed. If the temperature falls (cooling down), the changeover is reset to its initial position.

Installation notes

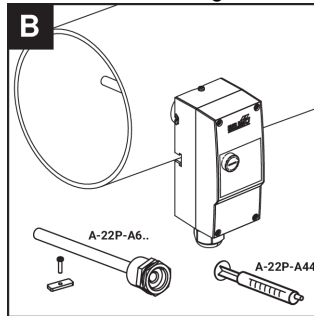
Installation situation The temperature monitors can be installed in four different ways.

Pipe contact mounting



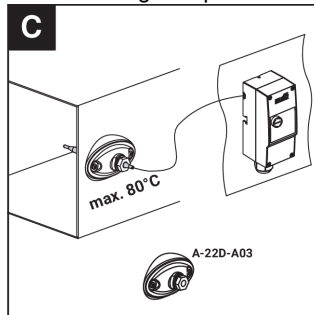
The tightening strap is included in the scope of delivery

Thermowell mounting



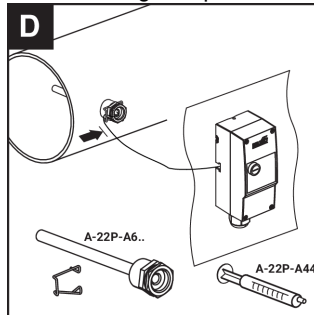
The thermowell A-22P-A6... is available as an optional accessory

Wall mounting with probe in flange



The A-22D-A03 flange is available as an optional accessory

Wall mounting with probe in immersion sleeve

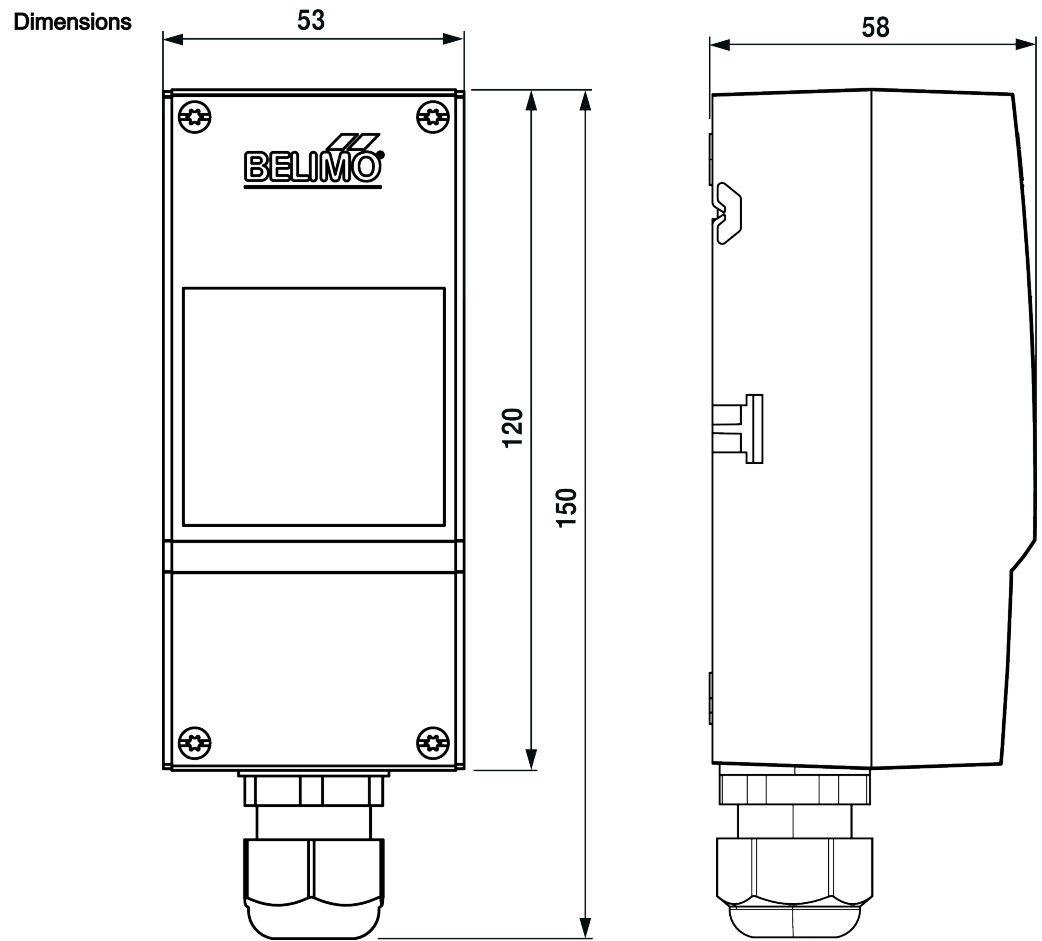


The thermowell A-22P-A6... is available as an optional accessory

Scope of delivery

Tightening strap for pipes from Ø15...100 mm

Dimensions



Type	Weight
01HT-101CA	0.12 kg