

Characterized control valves, 3-way,
with external thread

- for open and closed cold and warm water systems
- for modulating control on the water side of air-handling and heating systems
- air bubble-tight (control path A – AB)


Type overview

Type	k_{vs} [m ³ /h]	DN [mm]	G [Inches]	p_s [kPa]	n(gl) ¹⁾	S_v
R505K	0,25	10	3/4"	4140	3,2	>50
R506K	0,4	10	3/4"	4140	3,2	>50
R507K	0,63	10	3/4"	4140	3,2	>50
R508K	1	10	3/4"	4140	3,2	>50
R509	0,63	15	1"	4140	3,2	>50
R510	1	15	1"	4140	3,2	>50
R511	1,6	15	1"	4140	3,2	>50
R512	2,5	15	1"	4140	3,2	>50
R513	4	15	1"	4140	3,9	>100
R517	4	20	1 1/4"	4140	3,9	>100
R518	6,3	20	1 1/4"	4140	3,9	>100
R522	6,3	25	1 1/2"	4140	3,9	>100
R523	10	25	1 1/2"	4140	3,9	>100
R529	10	32	2"	4140	3,9	>100
R531	16	32	2"	2760	3,9	>100
R538	16	40	2 1/4"	2760	3,9	>100
R548	25	50	2 3/4"	2760	3,9	>100

¹⁾ optimized in the opening range

Technical data

Functional data	Flow media	Cold and hot water, water with max. 50% volume of glycol	
	Temperature of medium	+5 °C ... +110 °C ¹⁾ (lower or higher temperatures on request)	
	Rated pressure p_s	see «Type overview»	
	Flow characteristic	Control path A – AB: equal percentage (to VDI/VDE 2173) n(gl): see «Type overview» Bypass B – AB: linear, flow rate is 70% of k_{vs} value	
	Rangeability S_v	See «Type overview»	
	Leakage rate	Control path A – AB: Air bubble-tight (BO 1, DIN3230 T3) Bypass B – AB: Approx. 1...2% of k_{vs} value (in relation to the highest value within the DN (e.g. R513))	
	Pipe connector	External thread to ISO 228/1	
	Differential pressure Δp_{max}	350 kPa (200 kPa for low-noise operation)	
	Closing pressure Δp_s	1400 kPa	
	Angle of rotation	90° ↺ (Operating range of control path A – AB 15 ... 90° ↺, bypass B – AB 15 ... 70° ↺)	
	Installation position	Upright to horizontal (in relation to the stem)	
	Maintenance	Maintenance-free	
	Materials	Fitting	Forged, nickel-plated brass body
		Valve cone and stem	Stainless steel
Stem seal		O-Ring, EPDM	
Ball seat		PTFE, O-Ring Viton	
Characterizing disk		TEFZEL	
Dimensions / Weights	see «Dimensions and weights», page 3		
Motorizing	see the complete overview of water solutions		

¹⁾ The allowed media temperature can be limited, depending on the type of actuator. The correct values can be found in the corresponding actuator data sheets.

Safety notes



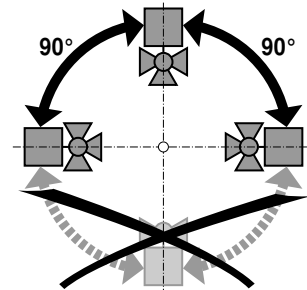
- The valve has been designed for use in stationary heating, ventilation and air conditioning systems and is not allowed to be used outside the specified field of application, especially in aircraft or in any other airborne means of transport.
- It may only be installed by suitably trained personnel. All applicable legal or institutional installation regulations must be complied with.
- The valve does not contain any parts that can be replaced or repaired by the user.
- The valve is not allowed to be disposed of as household refuse. All locally valid regulations and requirements must be observed.
- The recognized rules should be applied when determining the flow characteristic of final controlling elements.

Product features

- Mode of operation** The characterized control valve is operated by a rotary actuator. The actuator is controlled by a standard modulating or 3-point control system and move the ball of the valve – the throttling device – to the opening position dictated by the control signal. Open the ball valve counterclockwise and close it clockwise.
- Flow characteristic** Equal-percentage characteristic of the flow rate ensured by the integral characterizing disc.

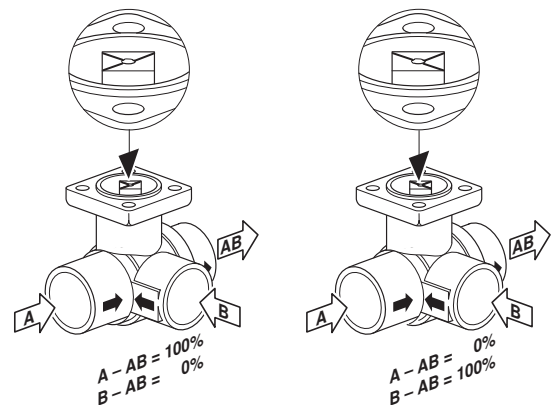
Installation notes

- Recommended mounting positions** The valve may be mounted either **vertically** or **horizontally**. It is not permissible, mounting the valve with the stem pointing downwards.



- Water quality requirements**
- The water quality requirements specified in VDI 2035 must be adhered to.
 - Characterized control valves are relatively sensitive control devices. In order to ensure a long service life, it is advisable to fit **strainers**.
- Maintenance**
- The characterized control valves and rotary actuators are maintenance-free.
 - Before any kind of service work is carried out on actuator sets of this type, it is essential to isolate the rotary actuator from the power supply (by unplugging the power lead). Any pumps in the part of the piping system concerned must also be switched off and the appropriate isolating fittings closed (allow everything to cool down first if necessary and reduce the pressure in the system to atmospheric).
 - The system must not be returned to service until the ball valve and the rotary actuator have been properly reassembled in accordance with the instructions and the pipework has been refilled in the proper manner.

- Direction of flow** The direction of flow, specified by an arrow on the housing, is to be complied with, since otherwise the ball valve can be damaged. Please ensure that the ball is in the correct position.



Accessories

Mechanical accessories

Beschreibung

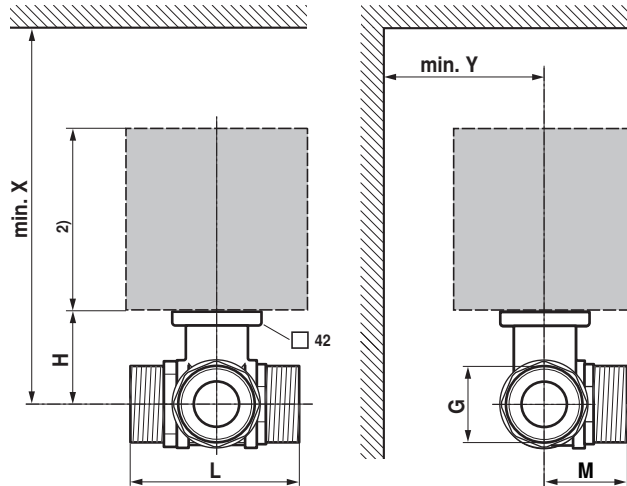
Stem heating ZR24-1 1)

Pipe connector ZR45..

1) No stem heating is available for R5..K, R529, R538 and R548

Dimensions and weights

Dimensional drawings



DN [mm]	L [mm]	H [mm]	M [mm]	G [Inches]	X 1) [mm]	Y 1) [mm]	Weight [kg]
10	69	31.5	34	3/4"	220	90	0.4
15	74	44	38	1"	220	90	0.7
20	85.5	46	42.5	1 1/4"	220	90	1.0
25	84.5	46	47.5	1 1/2"	220	90	1.1
32 R529	103.5	46	56	2"	220	90	1.7
32 R531	107.5	50.5	56	2"	230	90	1.8
40	114.5	50.5	60.5	2 1/4"	230	90	2.3
50	131.5	56	71.5	2 3/4"	240	90	3.8

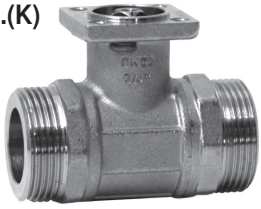
1) Minimum distance with respect to the valve centre.

2) The actuator dimensions can be found on the respective actuator data sheet.

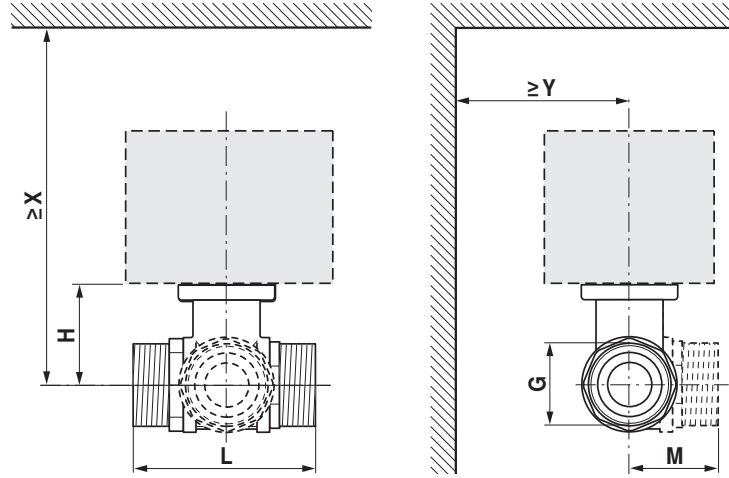
Further documentations

- Overview Valve-actuator combinations
- Data sheets for actuators
- Installation instructions for ball valves and/or actuators
- Notes for project planning (hydraulic characteristic curves and circuits, installation regulations, commissioning, maintenance etc.)

R4..(K)



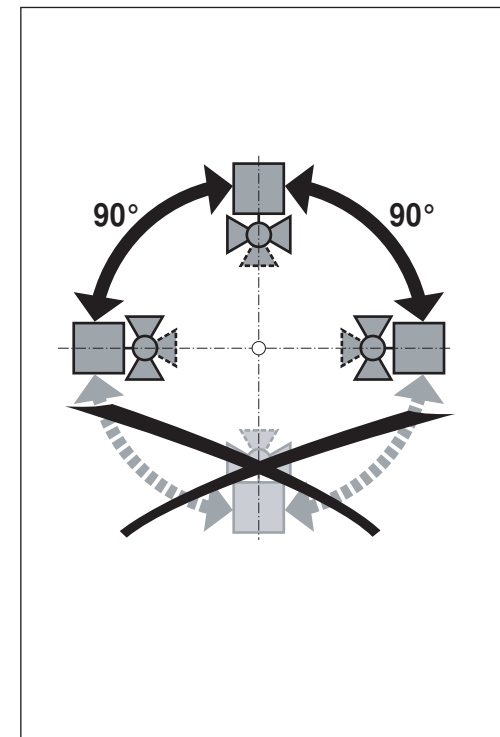
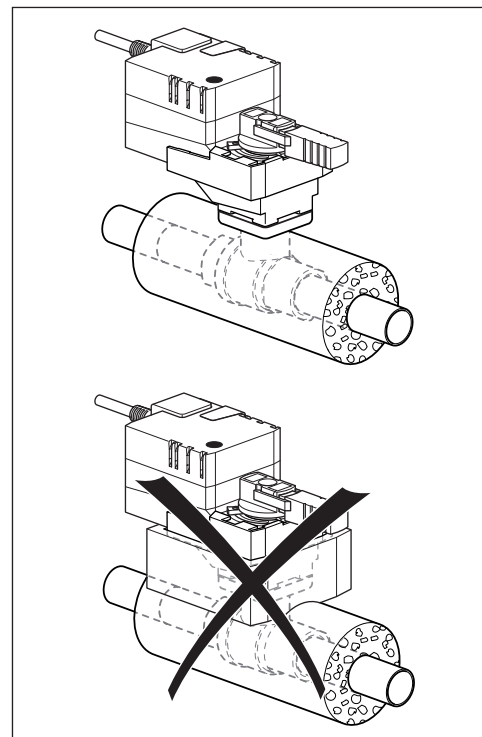
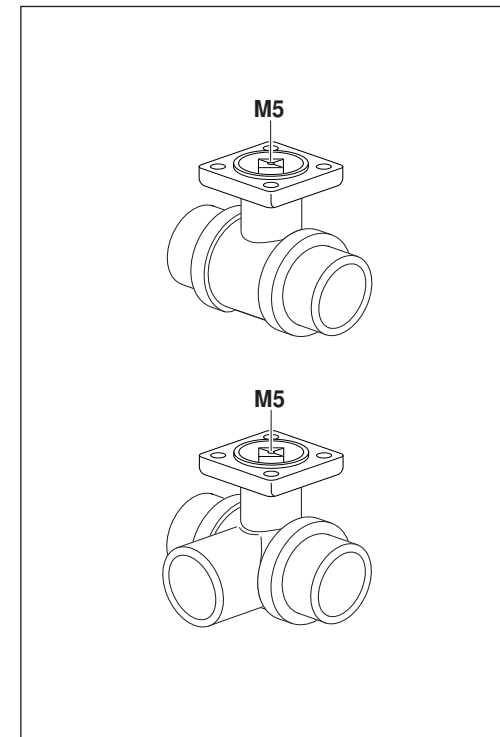
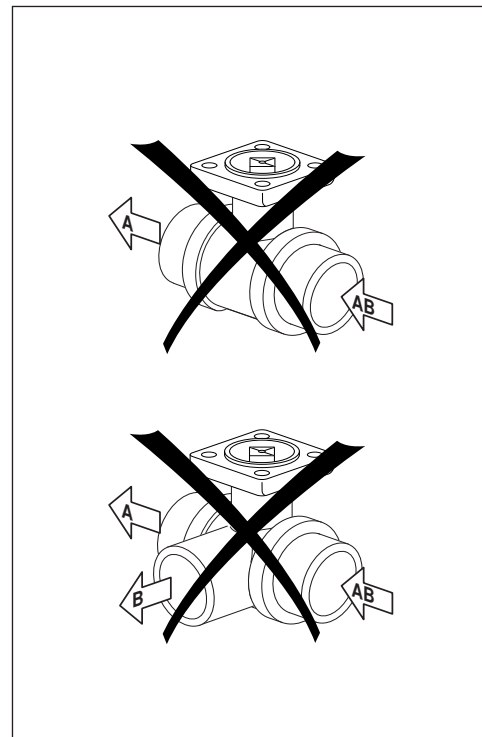
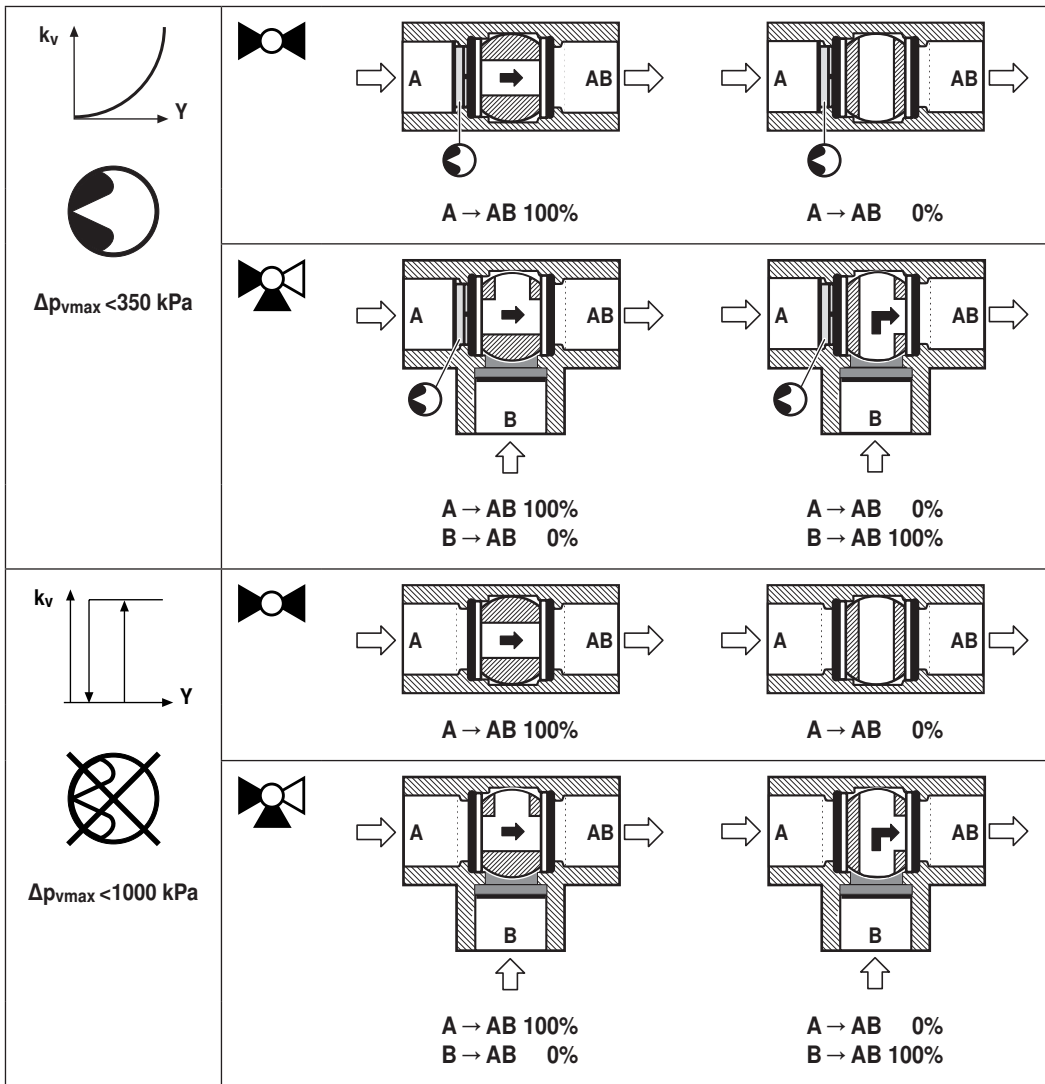
R5..(K)



70167-00001.D



		DN	G	mm																				
				L	H	M	KR..		TR..		LR..A		NR..A		SR..A		TRF..		LRF..		NRF..A		SRF..A	
mm	”	L	H	M	X	Y	X	Y	X	Y	X	Y	X	Y	X	Y	X	Y	X	Y	X	Y	X	Y
R405K ... R409K	R505K ... R508K	10	3/4"	69	31.5	34	138	75	173	75	187	75	218	80	218	80	178	60	188	90	188	90	188	90
R409 ... R415	R509 ... R515	15	1"	74	44	37	150	75	185	75	195	75	230	80	230	80	190	60	200	90	220	90	220	90
R417 ... R420	R517 ... R520	20	1 1/4"	85.5	46	42.5					200	75	235	80	235	80			205	90	225	90	225	90
R422 ... R425	R522 ... R525	25	1 1/2"	84.5	46	47.5					200	75	235	80	235	80			205	90	225	90	225	90
R429 ... R430		32	2"	97.5	46						200	75	235	80	235	80			205	90	225	90	225	90
	R529 ... R530	32	2"	103.5	46	56					200	75	235	80	235	80			205	90	225	90	225	90
R431 ... R432		32	2"	102	50.5								240	80	240	80					230	90	230	90
	R531 ... R532	32	2"	107.5	50.5	56							240	80	240	80					230	90	230	90
R438 ... R440		40	2 1/4"	103.5	50.5								240	80	240	80					230	90	230	90
	R538 ... R540	40	2 1/4"	114.5	50.5	60.5							240	80	240	80					230	90	230	90
R448 ... R450		50	2 3/4"	115.5	56										245	80							235	90
	R548 ... R550	50	2 3/4"	131.5	56	71.5									245	80							235	90



	 A → AB 100%	 A → AB 0%
	 B → AB 0%	 B → AB 100%