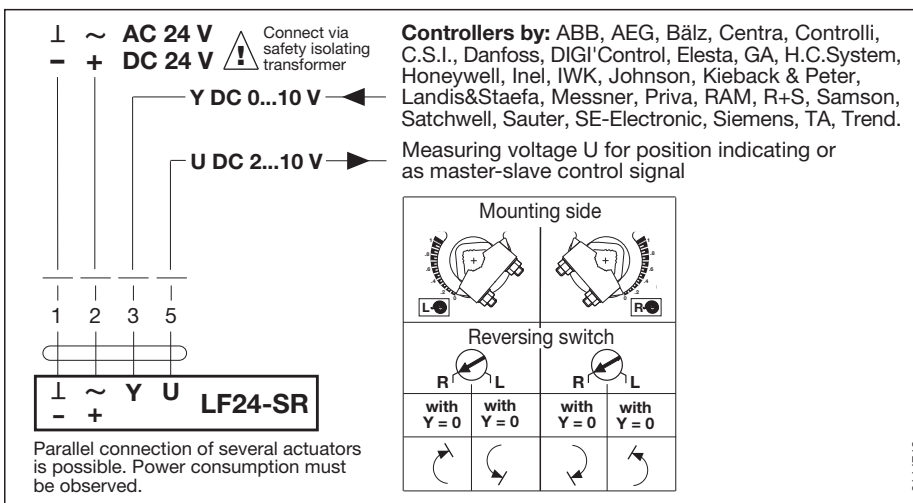




p.0063712

Wiring diagram



w0114712

Technical data	LF24-SR
Nominal voltage	AC 24 V 50/60 Hz, DC 24 V
Nominal voltage range	AC 19.2...28.8 V, DC 21.6...28.8 V
For wire sizing	5 VA (I _{max} 5.8 A @ 5 ms)
Power consumption	2.5 W motoring, 1 W at rest
Connecting cable	1 m long, 4 x 0.75 mm ²
Control signal Y	DC 0...10 V @ 100 kΩ input resistance
Operating range	DC 2...10 V for 0...100% ◁
Measuring voltage U	DC 2...10 V (max. 0.7 mA) for 0...100% ◁
Direction of rotation	- motor selected with switch L/R - spring return selected by L/R mounting
Torque	- motor min. 4 Nm (at rated voltage) - spring return min. 4 Nm
Angle of rotation	max. 95° (adjustable 37...100% ◁ with built-in mechanical stop)
Running time	- motor 150 s - spring return ≈ 20 s @ -20...50°C / max. 60 s @ -30°C
Sound power level	motor max. 30 dB (A), spring ≈ 62 dB (A)
Service life	min. 60 000 operations
Position indication	mechanical
Protection class	⚡ (safety extra-low voltage)
Degree of protection	IP 54
Ambient temp. range	-30...+50 °C
Non-operating temp.	-40...+80 °C
Humidity test	to EN 60730-1
EMC	CE according to 2004/108/EEC
Maintenance	maintenance-free
Weight	1400 g

Dampers up to approx. 0.8 m²
Modulating actuator (AC/DC 24 V)
Control DC 0...10 V and position feedback DC 2...10 V

Application
 For the operation of air dampers that perform safety functions (e.g. frost and smoke protection, hygiene, etc.).

Mode of operation
 The LF24-SR is controlled by a standard DC 0...10 V signal. The actuator runs to the position specified by the control signal while tensioning the return spring at the same time. If the power supply is interrupted, the energy stored in the spring moves the damper back to its safe position.

Product features
Simple direct mounting on the damper spindle by universal spindle clamp. An anti-rotation device is supplied to prevent unwanted rotation of the whole unit.
Mechanical angle of rotation limiting adjustable with built-in stop.

High functional reliability
 The actuator is overload proof, needs no limit switches and halts automatically at the end stop.

Electrical accessories (see Doc. 2. Z-1)
 SG..24 Positioners
 ZAD24 Digital position indicator

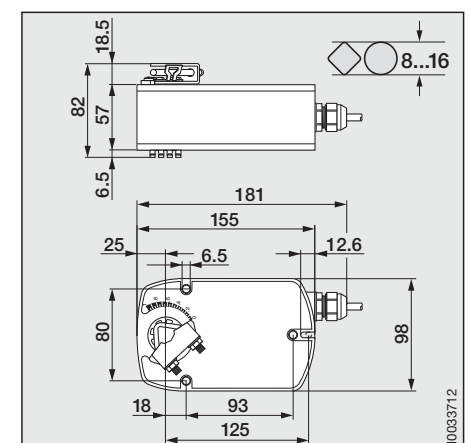
Control/monitoring functions, page 10

Mounting accessories, page 11

Mounting instructions, pages 13...15

Important: Read the notes about the use and torque requirements of the damper actuators on page 3.

Dimensions



d0063712