

Damper actuator for operating air control dampers in ventilation and air-conditioning systems for building services installations

- For air control dampers up to approx. 1 m²
- Torque 5 Nm
- Nominal voltage AC 100 ... 240 V
- Control: Open-close or 3-point
- Integrated auxiliary switch


Technical data

| | | |
|----------------------------|-------------------------|--------------------------------------------------------------------------------------------|
| Electrical data | Nominal voltage | AC 100 ... 240 V, 50/60 Hz |
| | Nominal voltage range | AC 85 ... 265 V |
| | Power consumption | In operation 1.5 W @ nominal torque At rest 0.4 W For wire sizing 4 VA |
| | Auxiliary switch | 1 x SPDT, 1 mA ... 3 (0.5) A, AC 250 V <input type="checkbox"/> (0 ... 100% adjustable) |
| Functional data | Connection Motor | Cable 1 m, 3 x 0.75 mm ² |
| | Auxiliary switch | Cable 1 m, 3 x 0.75 mm ² |
| | Torque (nominal torque) | Min. 5 Nm @ nominal voltage |
| | Direction of rotation | Reversible with switch 0 ↺ or 1 ↻ |
| | Manual override | Gearing latch disengaged with pushbutton, self-resetting |
| | Angle of rotation | Max. 95° ↔, limited on both sides by means of adjustable, mechanical end stops |
| | Running time | 150 s |
| | Sound power level | Max. 35 dB (A) |
| | Position indication | Mechanical, pluggable |
| | Safety | Protection class |
| Degree of protection | | IP54 in any mounting position |
| EMC | | CE according to 89/336/EEC |
| Low voltage directive | | CE according to 73/23/EEC |
| Mode of operation | | Type 1 (to EN 60730-1) |
| Ambient temperature range | | -30 ... +50 °C |
| Non-operating temperature | | -40 ... +80 °C |
| Ambient humidity range | | 95% r.H., non-condensating (EN 60730-1) |
| Maintenance | | Maintenance-free |
| Dimensions / Weight | | Dimensions |
| | Weight | Approx. 600 g |

Safety notes


- The damper actuator is not allowed to be used outside the specified field of application, especially not in aircraft or any other form of air transport.
- Caution: Power supply voltage !
- Assembly must be carried out by trained personnel. Any legal regulations or regulations issued by authorities must be observed during assembly.
- The device may only be opened at the manufacturer's site. It does not contain any parts that can be replaced or repaired by the user.
- The cables must not be removed from the device.
- When calculating the required torque, the specifications supplied by the damper manufacturers (cross section, design, installation site), and the air flow conditions must be observed.
- The device contains electrical and electronic components and is not allowed to be disposed of as household refuse. All locally valid regulations and requirements must be observed.

Product features

- Simple direct mounting** Simple direct mounting on the damper spindle with a universal spindle clamp, supplied with an anti-rotation strap to prevent the actuator from rotating.
- Manual override** Manual operation is possible with the self-resetting pushbutton (the gearing latch remains disengaged as long as the pushbutton is pressed).
- Adjustable angle of rotation** Adjustable angle of rotation with mechanical end stops.
- High functional reliability** The actuator is overload-proof, requires no limit switches and automatically stops when the end stop is reached.
- Flexible signalization** Flexible signalization with adjustable auxiliary switch (0 ... 100%).

Accessories

| | Description | Data sheet |
|------------------------|-------------------------------|----------------|
| Electrical accessories | Auxiliary switch S..A.. | T2 - S..A.. |
| | Feedback potentiometer P..A.. | T2 - P..A.. |
| Mechanical accessories | Shaft extension AV6-20 | T2 - Z-LM..A.. |

Electrical installation

Wiring diagrams

Note

- Caution: Power supply voltage !
- Other actuators can be connected in parallel. Please note the performance data.



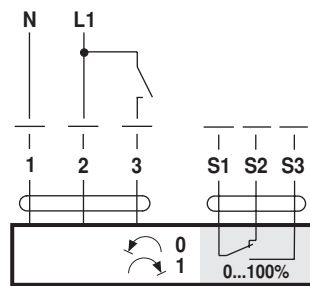
Direction of rotation



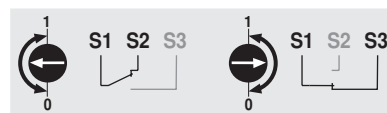
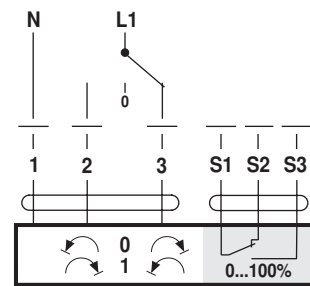
Auxiliary switch



Open-close control

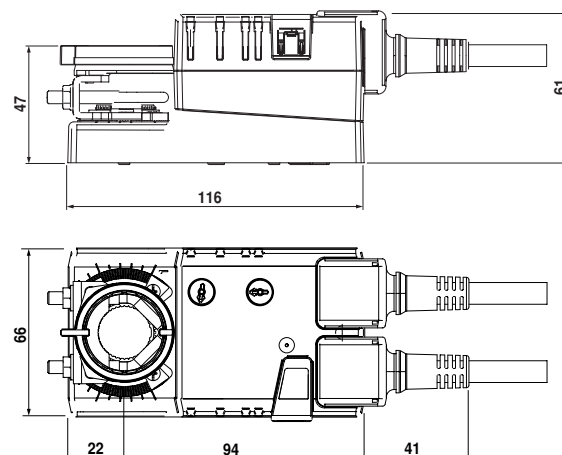


3-point control

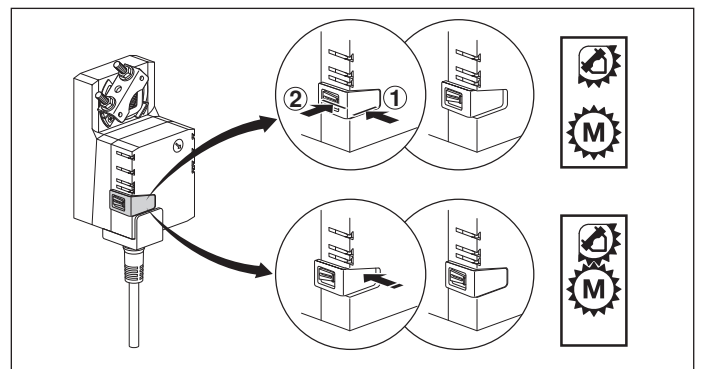
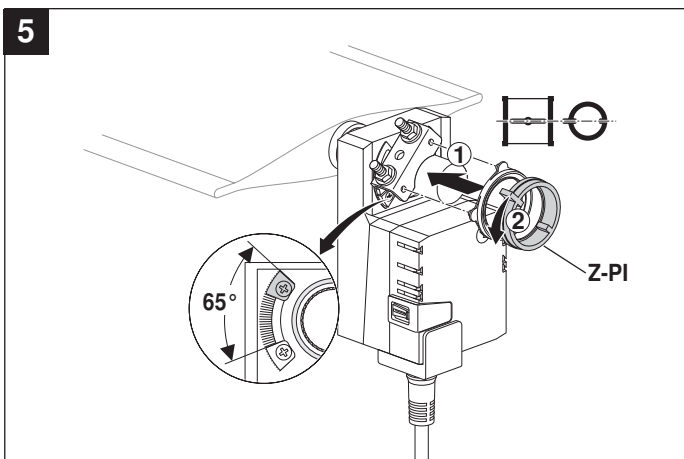
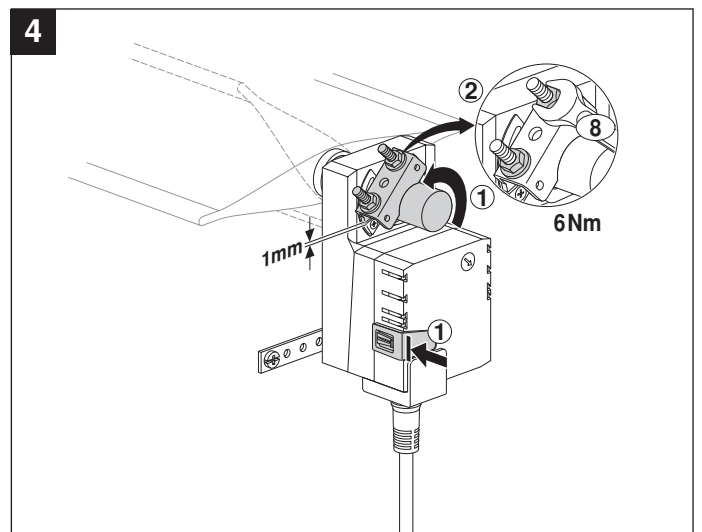
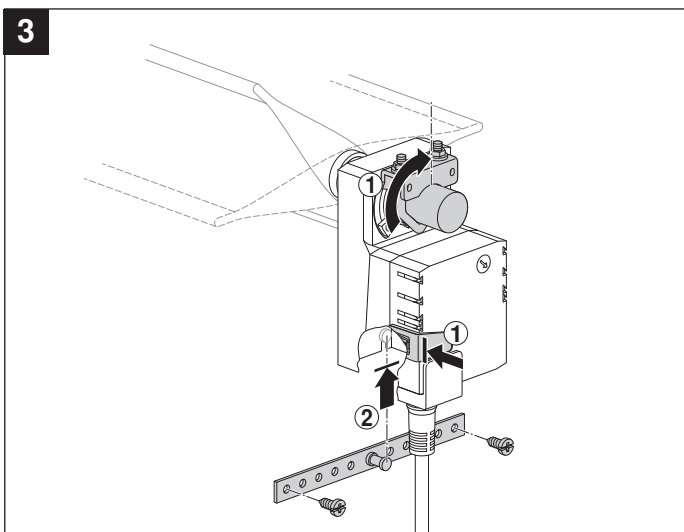
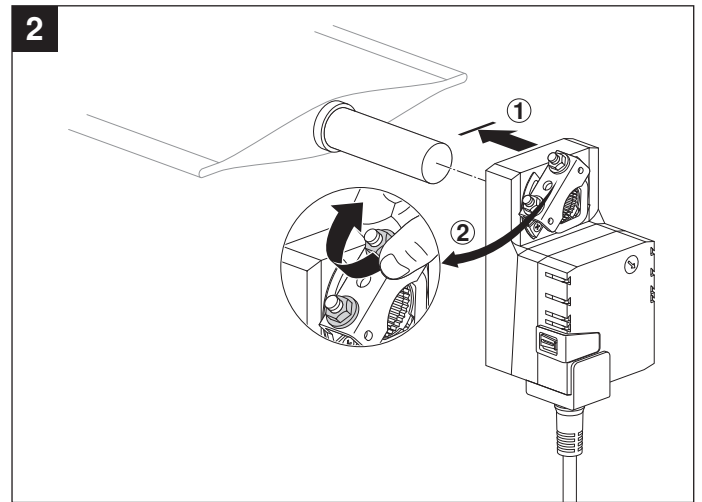
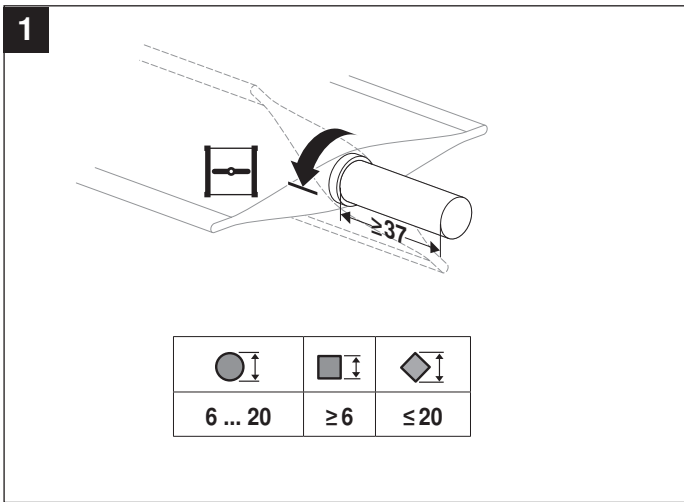


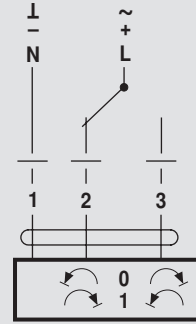
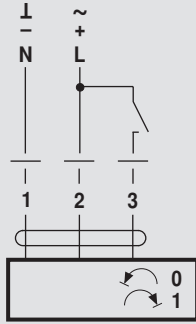
Dimensions [mm]

Dimensional drawings



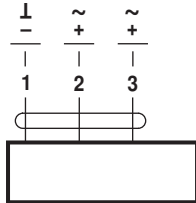
| Damper spindle | Length | Symbol |
|----------------|---------|----------|
| | min. 37 | 6 ... 20 |



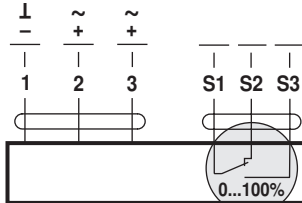


AC 24 V / DC 24 V

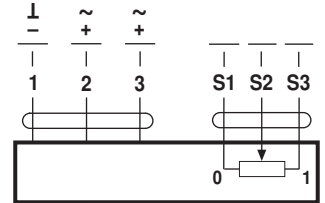
DC 48 ... 110 V
(LM72A..) ⚠



LM24A.. LMC24A..
LM72A.. TMC24A..

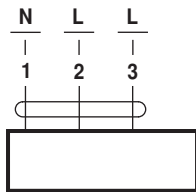


LM24A-S.. TMC24A-S..
LM72A-S..

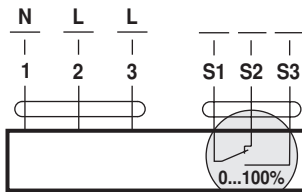


LM24AP5..

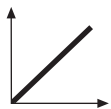
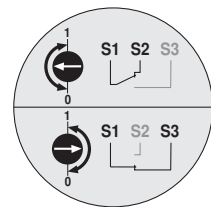
AC 100 ... 240 V ⚠



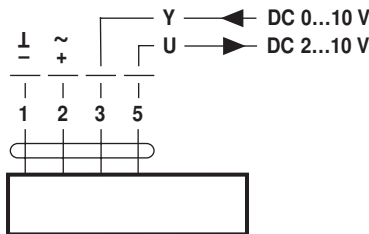
LM230A.. LMC230A..
TMC230A..



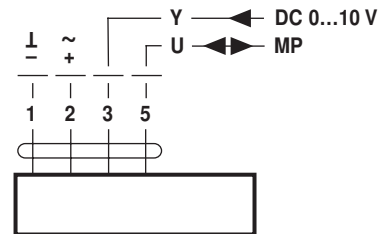
LM230A-S.. TMC230A-S..



AC 24 V / DC 24 V

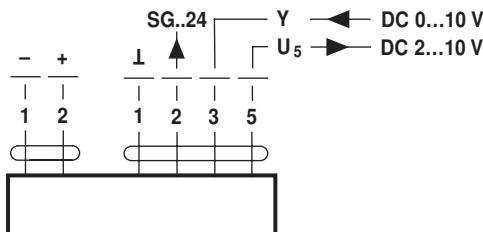


LM24A-SR.. LMC24A-SR..
LM24A-MF.. TMC24A-SR..



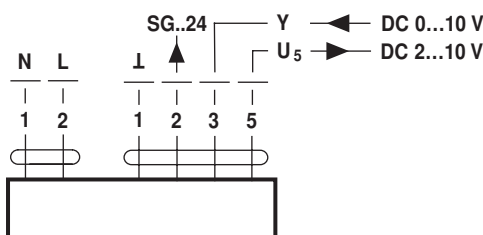
LM24A-MP..

DC 48 ... 110 V
(LM72A-SR..) ⚠



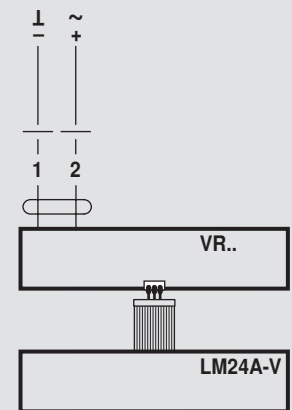
LM72A-SR..

AC 100 ... 240 V ⚠



LM230ASR..

AC 24 V / DC 24 V
(LM24A-V / VR..) ⚠



LM230A-V / VR..