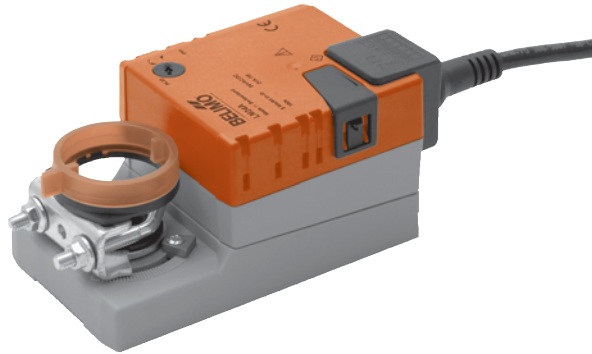


Damper actuator for operating air control dampers in ventilation and air-conditioning systems for building services installations

- For air control dampers up to approx. 1 m²
- Torque 5 Nm
- Nominal voltage AC/DC 24 V
- Control: Open-close or 3-point
- Running time 35 s


Technical data

| | | | |
|----------------------------|---------------------------|---|----------------------|
| Electrical data | Nominal voltage | AC 24 V, 50/60 Hz DC 24 V | |
| | Nominal voltage range | AC/DC 19.2 ... 28.8 V | |
| | Power consumption | In operation | 1 W @ nominal torque |
| | | At rest | 0.2 W |
| | For wire sizing | 2 VA | |
| | Connection | Cable 1 m, 3 x 0.75 mm ² | |
| Functional data | Torque (nominal torque) | Min. 5 Nm @ nominal voltage | |
| | Direction of rotation | Reversible with switch 0 ↺ or 1 ↻ | |
| | Manual override | Gearing latch disengaged with pushbutton, self-resetting | |
| | Angle of rotation | Max. 95°↔, limited on both sides by means of adjustable, mechanical end stops | |
| | Running time | 35 s | |
| | Sound power level | Max. 45 dB (A) | |
| | Position indication | Mechanical, pluggable | |
| | | | |
| Safety | Protection class | III Safety extra-low voltage | |
| | Degree of protection | IP54 in any mounting position | |
| | EMC | CE according to 89/336/EEC | |
| | Mode of operation | Type 1 (to EN 60730-1) | |
| | Ambient temperature range | -30 ... +50 °C | |
| | Non-operating temperature | -40 ... +80 °C | |
| | Ambient humidity range | 95% r.H., non-condensating (EN 60730-1) | |
| | Maintenance | Maintenance-free | |
| Dimensions / Weight | Dimensions | See «Dimensions» on page 2 | |
| | Weight | Approx. 500 g | |

Safety notes


- The damper actuator is not allowed to be used outside the specified field of application, especially not in aircraft or any other form of air transport.
- Assembly must be carried out by trained personnel. Any legal regulations or regulations issued by authorities must be observed during assembly.
- The device may only be opened at the manufacturer's site. It does not contain any parts that can be replaced or repaired by the user.
- The cable must not be removed from the device.
- When calculating the required torque, the specifications supplied by the damper manufacturers (cross section, design, installation site), and the air flow conditions must be observed.
- The device contains electrical and electronic components and is not allowed to be disposed of as household refuse. All locally valid regulations and requirements must be observed.

Product features

- Simple direct mounting** Simple direct mounting on the damper spindle with a universal spindle clamp, supplied with an anti-rotation strap to prevent the actuator from rotating.
- Manual override** Manual operation is possible with the self-resetting pushbutton (the gearing latch remains disengaged as long as the pushbutton is pressed).
- Adjustable angle of rotation** Adjustable angle of rotation with mechanical end stops.
- High functional reliability** The actuator is overload-proof, requires no limit switches and automatically stops when the end stop is reached.

Accessories

| | Description | Data sheet |
|------------------------|-------------------------------|----------------|
| Electrical accessories | Auxiliary switch S..A.. | T2 - S..A.. |
| | Feedback potentiometer P..A.. | T2 - P..A.. |
| Mechanical accessories | Shaft extension AV6-20 | T2 - Z-LM..A.. |

Electrical installation

Wiring diagrams

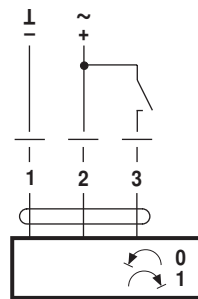
- Notes**
- Connection via safety isolating transformer.
 - Other actuators can be connected in parallel. Please note the performance data.



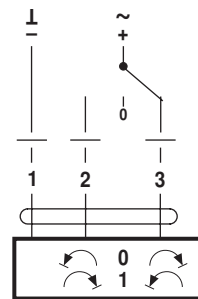
Direction of rotation



Open-close control

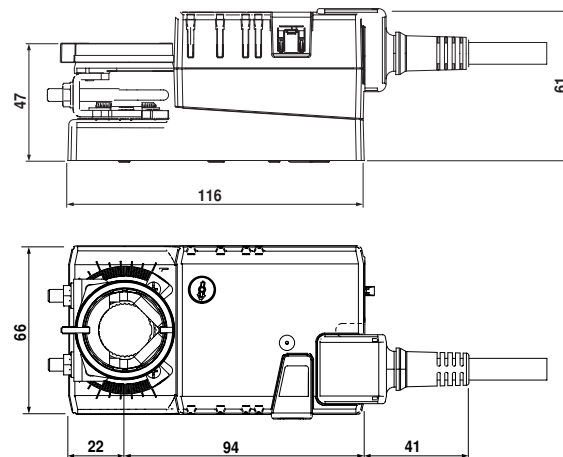


3-point control

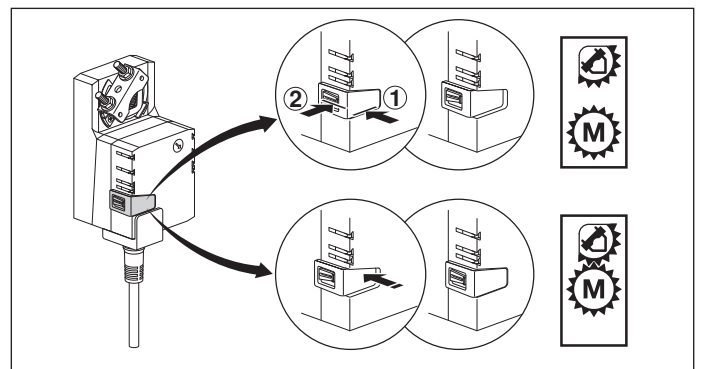
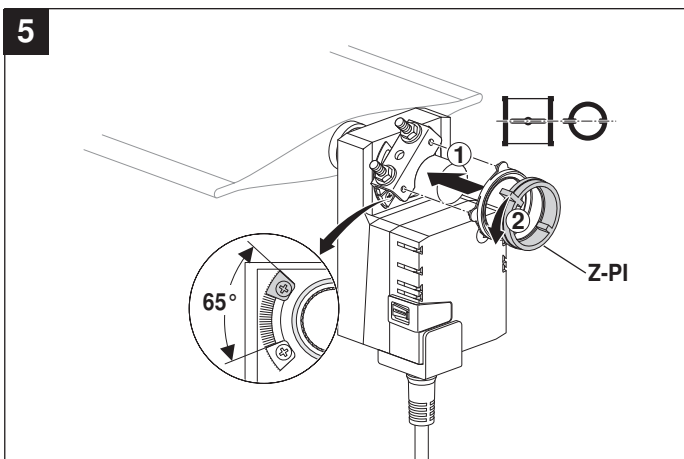
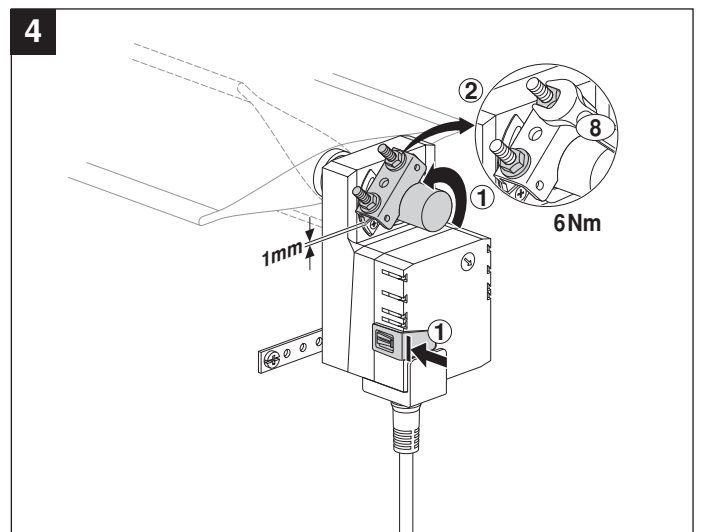
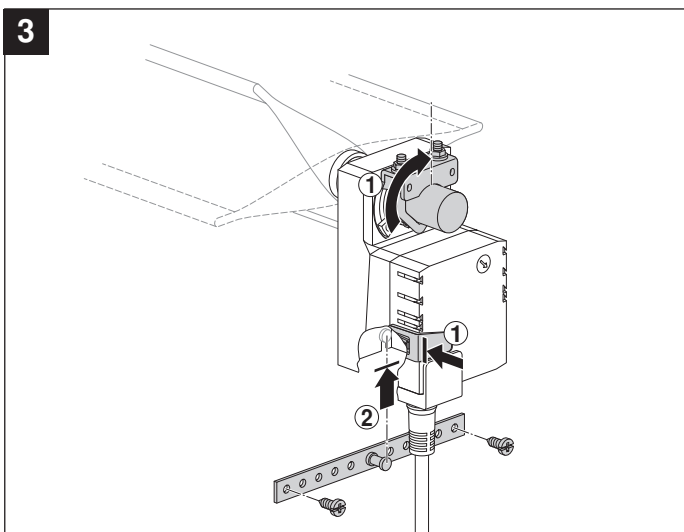
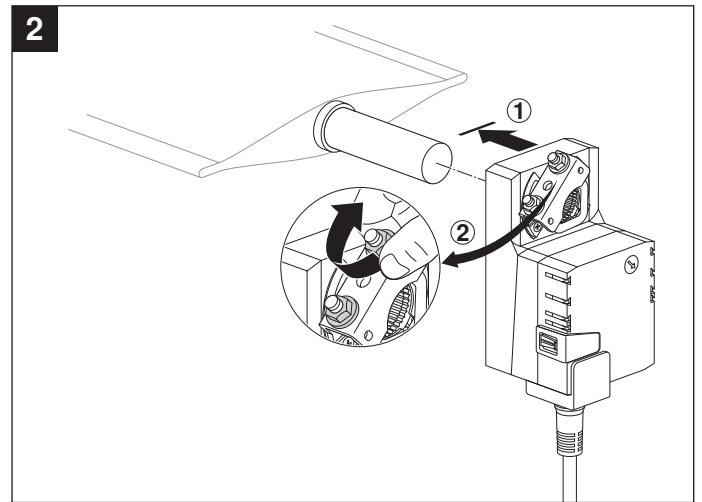
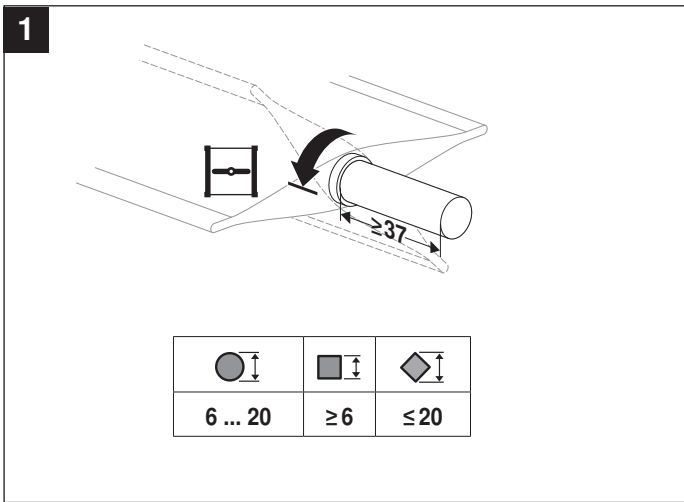


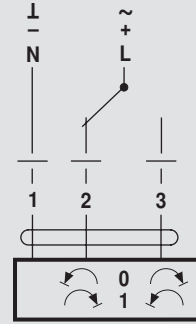
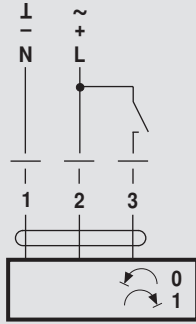
Dimensions [mm]

Dimensional drawings



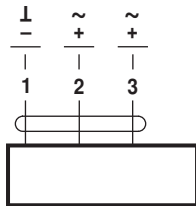
| Damper spindle | Length | |
|----------------|---------|----------|
| | min. 37 | 6 ... 20 |



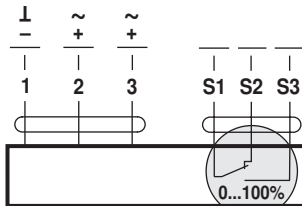


AC 24 V / DC 24 V

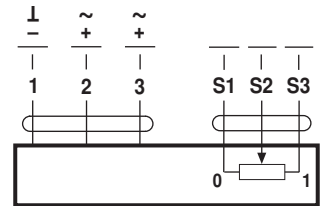
DC 48 ... 110 V
(LM72A..)



LM24A.. LMC24A..
LM72A.. TMC24A..

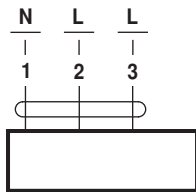


LM24A-S.. TMC24A-S..
LM72A-S..

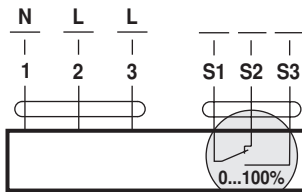


LM24AP5..

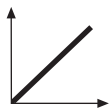
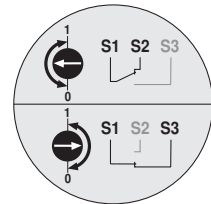
AC 100 ... 240 V



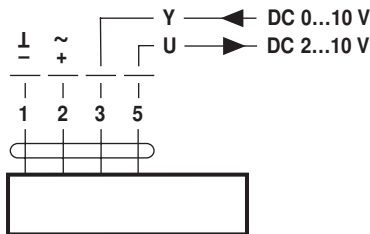
LM230A.. LMC230A..
TMC230A..



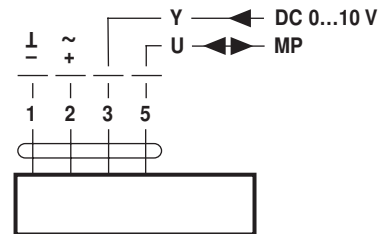
LM230A-S.. TMC230A-S..



AC 24 V / DC 24 V

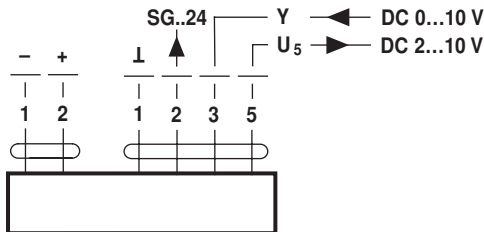


LM24A-SR.. LMC24A-SR..
LM24A-MF.. TMC24A-SR..



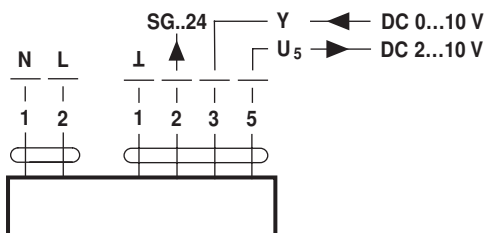
LM24A-MP..

DC 48 ... 110 V
(LM72A-SR..)



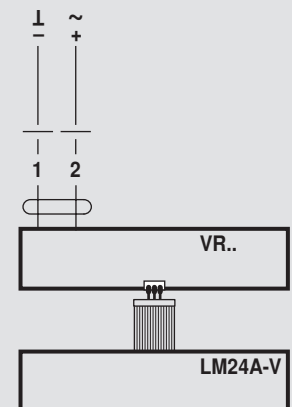
LM72A-SR..

AC 100 ... 240 V



LM230ASR..

AC 24 V / DC 24 V
(LM24A-V / VR..)



LM230A-V / VR..