

Modulating spring return actuator with emergency function for adjusting air dampers in ventilation and air conditioning systems in buildings

- For air dampers up to approx. 2 m<sup>2</sup>
- **Torque 10 Nm**
- Nominal voltage AC/DC 24 V
- **Control: modulating DC 0 ... 10 V**
- Position feedback DC 0 ... 10 V


**Technical data**

<b>Electrical data</b>	Nominal voltage	AC 24 V, 50/60 Hz / DC 24 V
	Nominal voltage range	AC 19.2 ... 28.8 V / DC 21.6 ... 28.8 V
	Power consumption	In operation 3.5 W @ nominal torque At rest 2.5 W For wire sizing 5.5 VA
	Connection	Cable 1 m, 4 x 0.75 mm <sup>2</sup>
<b>Functional data</b>	Torque Motor	Min. 10 Nm @ nominal voltage
	Spring return	Min. 10 Nm
	Control Control signal Y	DC 0 ... 10 V, input impedance 100 kΩ
	Operating range	DC 0,5 ... 10 V
	Position feedback (measuring voltage U)	DC 0,5 ... 10 V, max. 0.5 mA
	Position accuracy	±5%
	Direction of rotation Motor	Reversible with switch ↻ / ↻
	Spring return	Can be selected by mounting L / R
	Manual override	With hand crank and interlocking switch
	Angle of rotation	Max. 95°↔, can be limited with adjustable mechanical end stop
	Running time Motor	≤150 s (0 ... 10 Nm)
	Spring return	≤20 s @ -20 ... 50°C / max. 60 s @ -30°C
	Sound power level Motor	≤40 dB (A) @ 150 s running time
Spring return	≤62 dB (A)	
Service life	Min. 60,000 emergency positions	
Position indication	Mechanical	
<b>Safety</b>	Protection class	III Extra low voltage UL Class 2 Supply
	Degree of protection	IP54 NEMA2, UL Enclosure Type 2
	EMC	CE according to 2004/108/EC
	Certification	Certified to IEC/EN 60730-1 and IEC/EN 60730-2-14 cULus according to UL 60730-1A and UL 60730-2-14 and CAN/CSA E60730-1:02
Mode of operation	Type 1.AA	
Rated impulse voltage	0.8 kV	
Control pollution degree	3	
Ambient temperature	-30 ... +50°C	
Non-operating temperature	-40 ... +80°C	
Ambient humidity	95% r.h., non-condensating	
Maintenance	Maintenance-free	
<b>Dimensions / Weight</b>	Dimensions	See «Dimensions» on page 3
	Weight	Approx. 1.8 kg

Safety notes



- The actuator is not allowed to be used outside the specified field of application, especially in aircraft or in any other airborne means of transport.
- It may only be installed by suitably trained personnel. Any legal regulations or regulations issued by authorities must be observed during assembly.
- The device may only be opened at the manufacturer's site. It does not contain any parts that can be replaced or repaired by the user.
- The cable must not be removed from the device.
- When calculating the required torque, the specifications supplied by the damper manufacturers (cross-section, design, installation site), and the air flow conditions must be observed.
- The device contains electrical and electronic components and is not allowed to be disposed of as household refuse. All locally valid regulations and requirements must be observed.

Product features

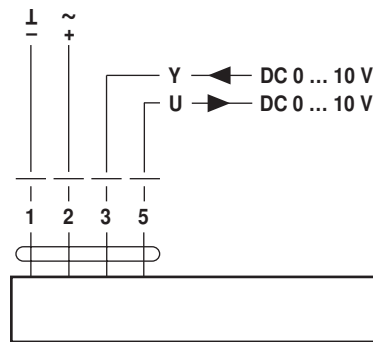
<b>Mode of operation</b>	The actuator is controlled with a standard signal of DC 0 ... 10 V and moves the damper to the operating position at the same time as tensioning the return spring. The damper is turned back to the emergency position by spring force if the supply voltage is interrupted.
<b>Simple direct mounting</b>	Simple direct mounting on the damper spindle with a universal spindle clamp, supplied with an anti-rotation strap to prevent the actuator from rotating.
<b>Manual override</b>	Manual operation of the damper with the hand crank, locking in any position with the interlocking switch.
<b>Adjustable angle of rotation</b>	Adjustable angle of rotation with mechanical end stop.
<b>High operational reliability</b>	The actuator is overload-proof, requires no limit switches and automatically stops when the end stop is reached.

Electrical installation

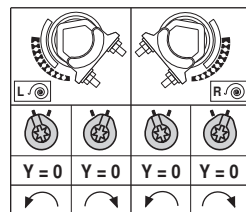
Wiring diagram

**Notes**

- Connect via safety isolation transformer.
- Parallel connection of other actuators possible. Note the performance data.



Direction of rotation



Accessories

	Description	Data sheet
<b>Electrical accessories</b>	Auxiliary switch unit S2A-F *	T2 - S2A-F
	Feedback potentiometer unit P200A-F *	T2 - P200A-F
	Range controller SBG24	T2 - SBG24
	Position sensor SGA24, SGE24 and SGF24	T2 - SG..24
	Digital position indication ZAD24	T2 - ZAD24
<b>Mechanical accessories</b>	Various accessories	
	* further versions on request	

Dimensions [mm]

Dimensional drawings

Variant 1a:

3/4"-spindle clamp (with insertion part) EU Standard

Damper spindle	Length	●	■	◆
	≥85	10 ... 22	10	14 ... 25.4
	≥15			

Variant 1b:

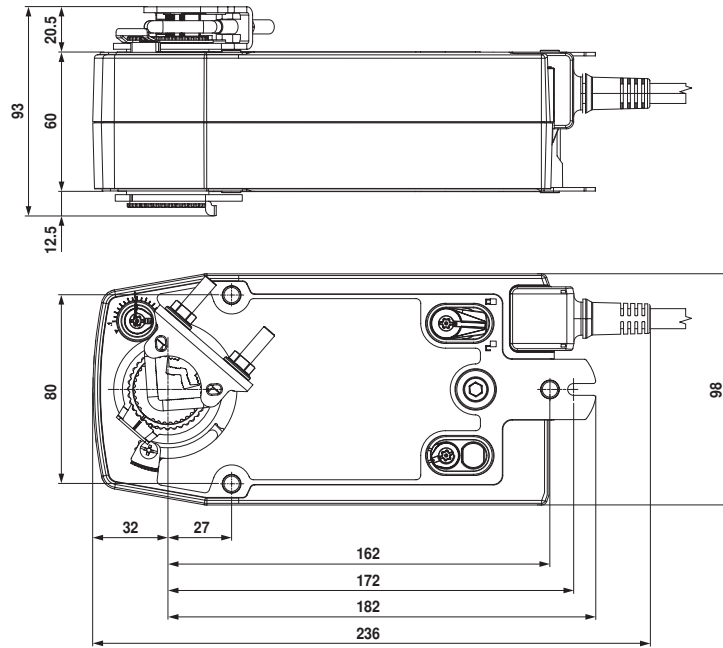
1"-spindle clamp (without insertion part) EU Standard

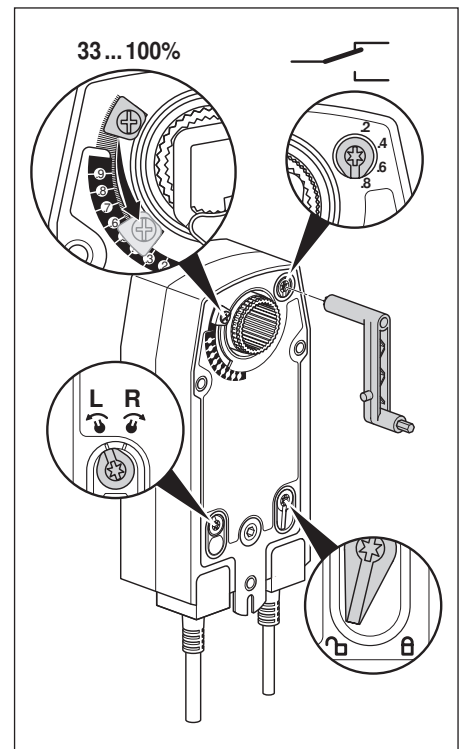
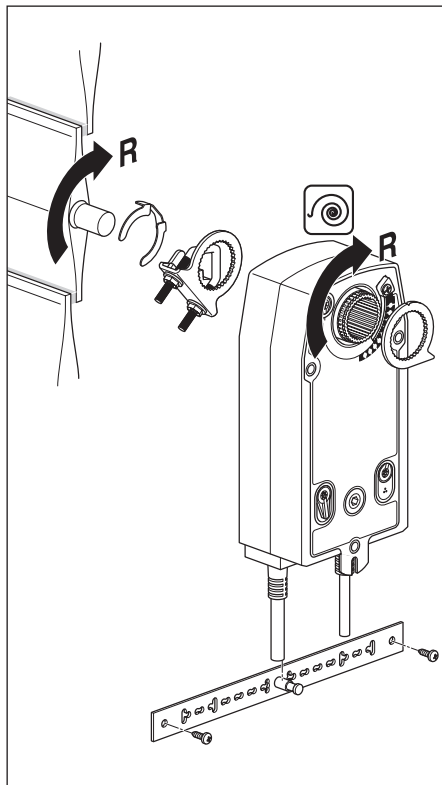
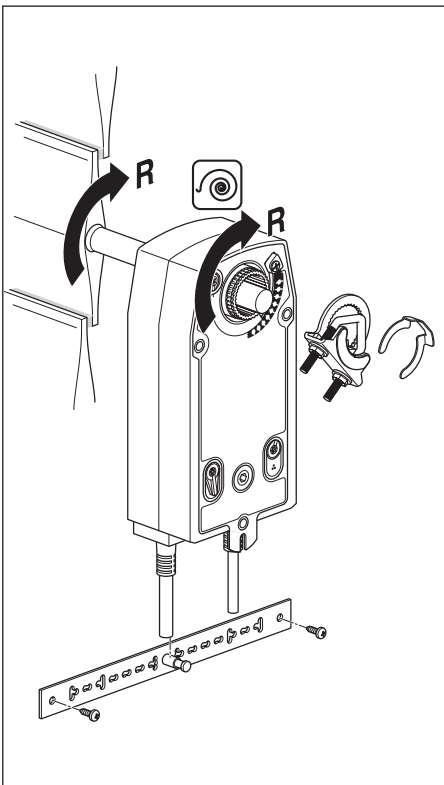
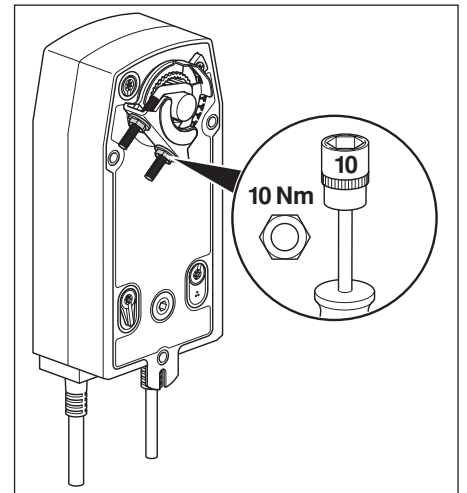
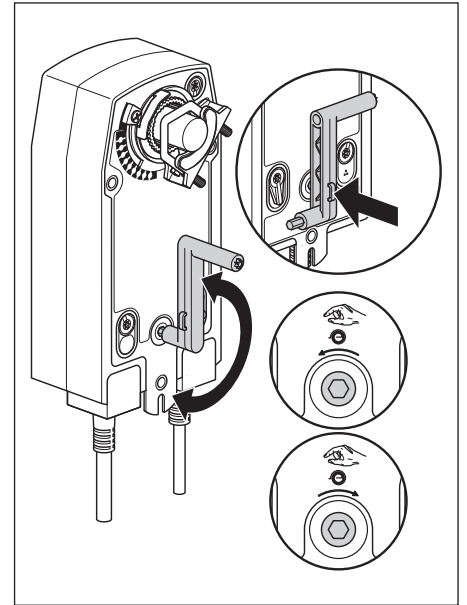
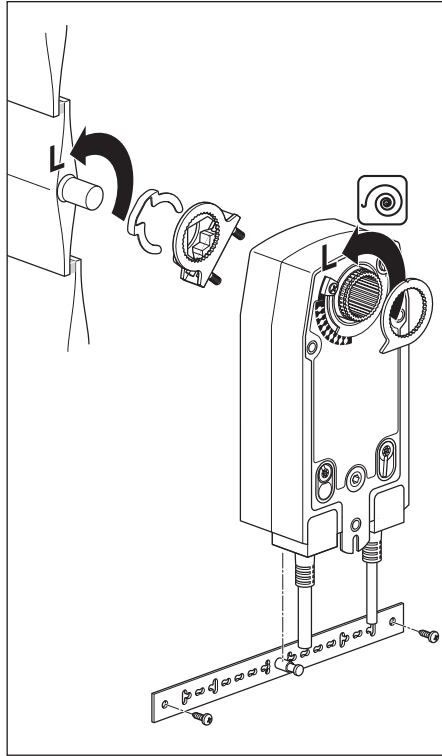
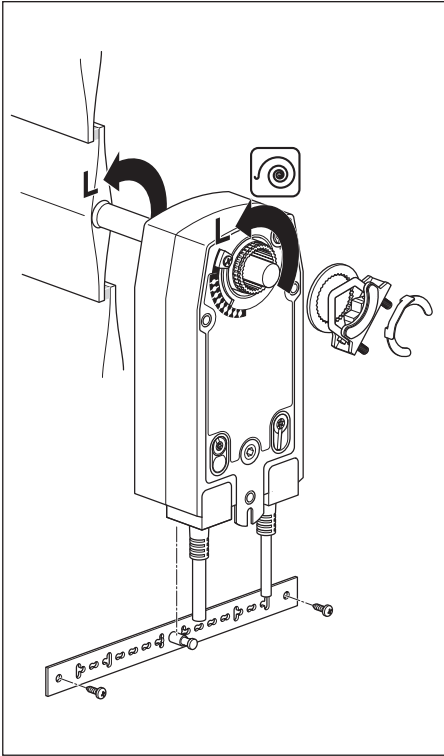
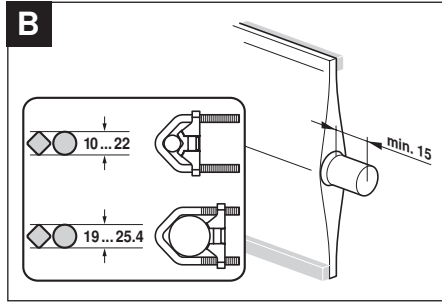
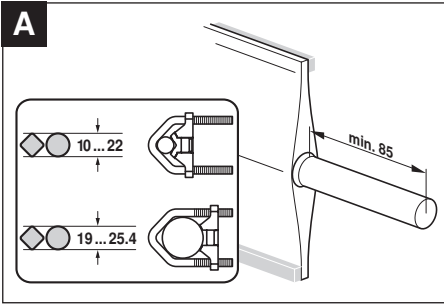
Damper spindle	Length	●	■
	≥85	19 ... 25.4 (26.7)	12 ... 18
	≥15		

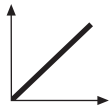
Variant 2:

1/2"-spindle clamp (optional via configuration)

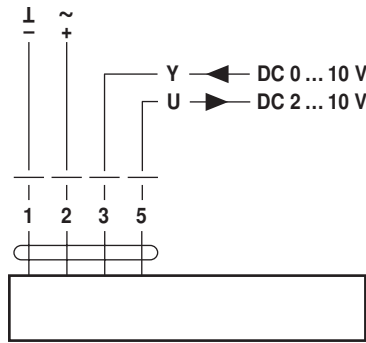
Damper spindle	Length	●	◆
	≥85	10 ... 19	14 ... 20
	≥15		



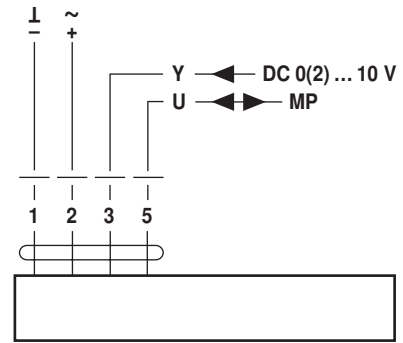




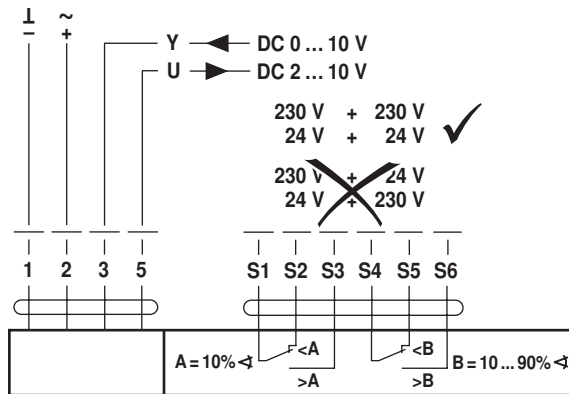
AC 24 V / DC 24 V



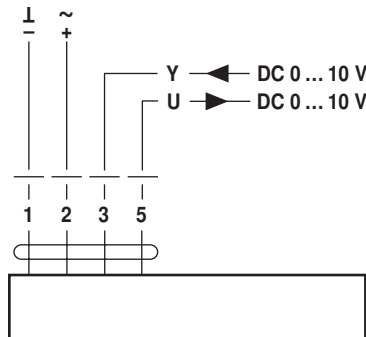
NF24A-SR  
NF24A-MF  
SF24A-SR  
SF24A-MF



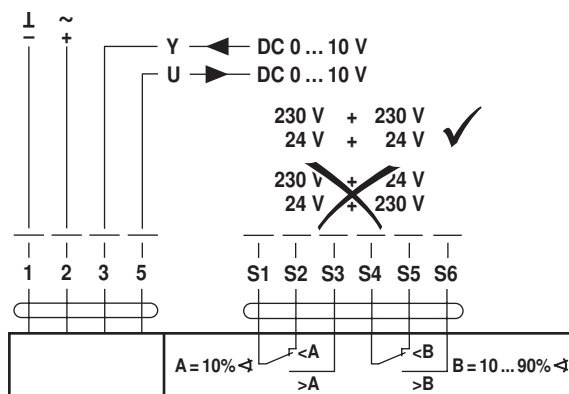
NF24A-MP  
SF24A-MP



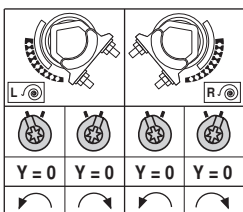
NF24A-SR-S2  
SF24A-SR-S2



NF24A-SZ  
SF24A-SZ



NF24A-SZ-S2  
SF24A-SZ-S2



..F24A-SR  
..F24A-SR-S2  
..F24A-SZ  
..F24A-SZ-S2