

Modulating damper actuator for adjusting air dampers in ventilation and air-conditioning systems for building services installations

- For air dampers up to approx. 4 m²
- Torque 20 Nm
- Nominal voltage AC 100 ... 240 V
- Control: Modulating DC 0 ... 10 V
- Position feedback DC 2 ... 10 V



Technical data

Electrical data	Nominal voltage	AC 100 ... 240 V, 50/60 Hz
	Nominal voltage range	AC 85 ... 265 V
	Power consumption	In operation 2.5 W @ nominal torque At rest 0.6 W For wire sizing 6 VA
	Connection	Power supply Cable 1 m, 2 x 0.75 mm ² Signals Cable 1 m, 4 x 0.75 mm ²
Functional data	Torque (nominal torque)	Min. 20 Nm @ nominal voltage
	Control	Control signal Y DC 0 ... 10 V, typical input impedance 100 kΩ Operating range DC 2 ... 10 V
	Position feedback (Measuring voltage U)	DC 2 ... 10 V, max. 1 mA
	Auxiliary supply	DC 24 V ±30%, max. 10 mA
	Position accuracy	±5%
	Direction of rotation	Reversible with switch 0 / 1
	Direction of motion at Y = 0 V	In switch position 0 ↺ resp. 1 ↻
	Manual override	Gearing latch disengaged with pushbutton, can be locked
	Angle of rotation	Max. 95°↔, can be limited at both ends with adjustable mechanical end stops
	Running time	150 s / 90°↔
	Sound power level	Max. 45 dB (A)
Position indication	Mechanical, pluggable	
Safety	Protection class	II Totally insulated <input type="checkbox"/>
	Degree of protection	IP54 in any mounting position NEMA 2, UL Enclosure Type 2
	EMC	CE according to 2004/108/EC CE according to 2006/95/EC
Dimensions / Weight	Low voltage directive	CE according to 2006/95/EC
	Certification	cULus according to UL 60730-1A and UL 60730-2-14 and CAN/CSA E60730-1:02 Certified to IEC/EN 60730-1 and IEC/EN 60730-2-14
	Mode of operation	Type 1
	Rated impulse voltage	2.5 kV
	Control pollution degree	3
	Ambient temperature range	-30 ... +50 °C
	Non-operating temperature	-40 ... +80 °C
	Ambient humidity range	95% r.h., non-condensating
	Maintenance	Maintenance-free
	Dimensions	See «Dimensions» on page 3
Weight	Approx. 1.05 kg	

Safety notes



- The actuator is not allowed to be used outside the specified field of application, especially in aircraft or any other form of air transport.
- Assembly must be carried out by trained personnel. Any legal regulations or regulations issued by authorities must be observed during assembly.
- **Caution Power supply voltage!**
- The device may only be opened at the manufacturer's site. It does not contain any parts that can be replaced or repaired by the user.
- The cable must not be removed from the device.
- When calculating the required torque, the specifications supplied by the damper manufacturers (cross section, design, installation site), and the air flow conditions must be observed.
- The device contains electrical and electronic components and is not allowed to be disposed of as household refuse. All locally valid regulations and requirements must be observed.

Product features

Mode of operation	The actuator is controlled with a standard modulating signal of DC 0 ... 10 V and travels to the position defined by the control signal. Measuring voltage U serves for the electrical display of the damper position 0 ... 100% and as slave control signal for other actuators.
Simple direct mounting	Simple direct mounting on the damper spindle with a universal spindle clamp, supplied with an anti-rotation strap to prevent the actuator from rotating.
Manual override	Manual override with push-button possible (the gear is disengaged for as long as the button is pressed or remains locked).
Adjustable angle of rotation	Adjustable angle of rotation with mechanical end stops.
High functional reliability	The actuator is overload-proof, requires no limit switches and automatically stops when the end stop is reached.

Accessories

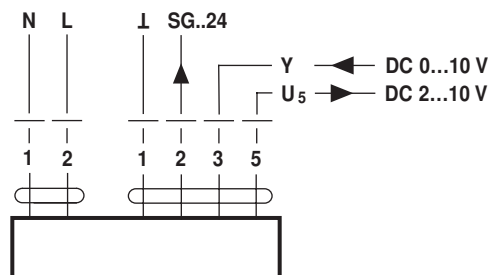
	Description	Data sheet
Electrical accessories	Auxiliary switch S..A..	T2 - S..A..
	Feedback potentiometer P..A..	T2 - P..A..
	Position sensor SGA24, SGE24 and SGF24	T2 - SG..24
Mechanical accessories	Various accessories (clamps, shaft extensions etc.)	T2 - Z-SM..A..

Electrical installation

Wiring diagram

Notes

- Caution Power supply voltage!
- Other actuators can be connected in parallel. Please note the performance data.

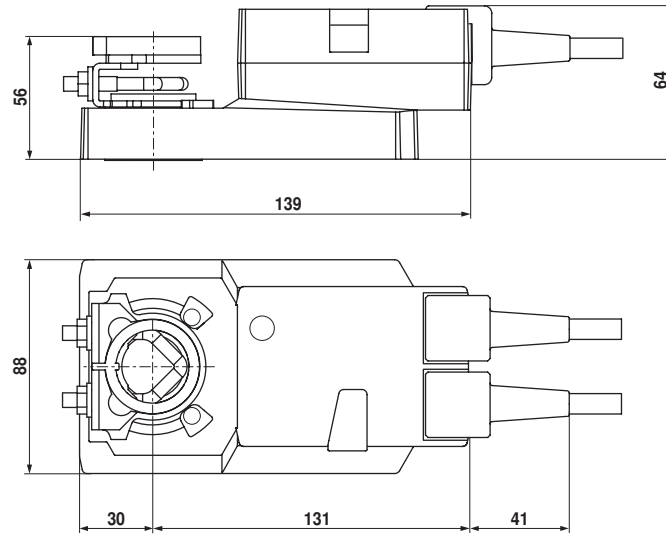


Cable colours:

- 1 = blue
- 2 = brown
- 1 = black
- 2 = red
- 3 = white
- 5 = orange

Dimensions [mm]

Dimensional drawings






Damper spindle	Length			
	≥48	10 ... 20 ¹⁾	≥10	≤20
	≥20	10 ... 20 ¹⁾	≥10	≤20

¹⁾ CrNi (INOX) 12 ... 20

70214-00003.D

1

			
	10 ... 20	≥10	≤20
CrNi (INOX)	12 ... 20	≥10	≤20

2

3

4

9 Nm
CrNi (INOX) 15 Nm

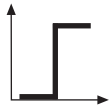
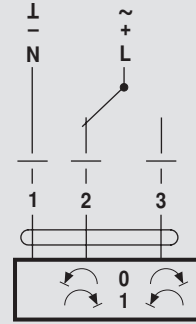
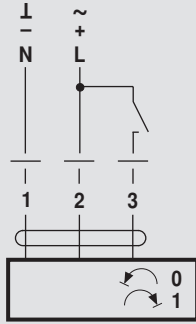
1 mm

5

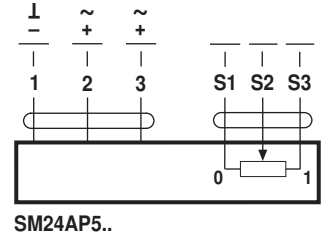
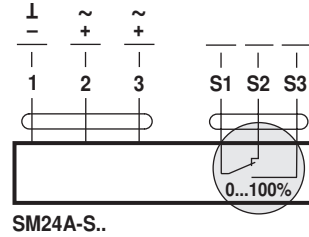
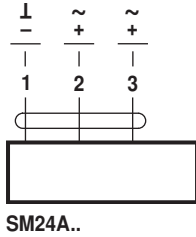
Z-PI

65°

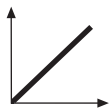
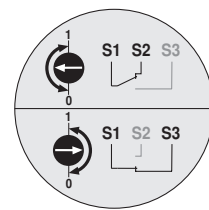
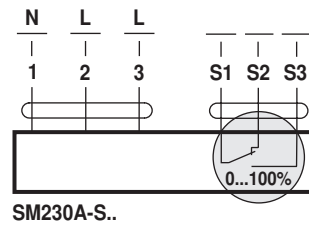
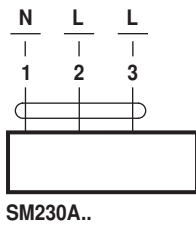
≥20



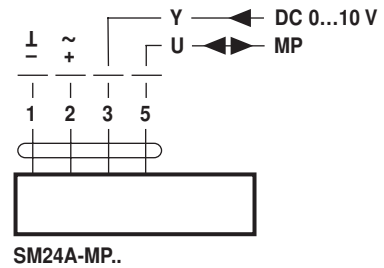
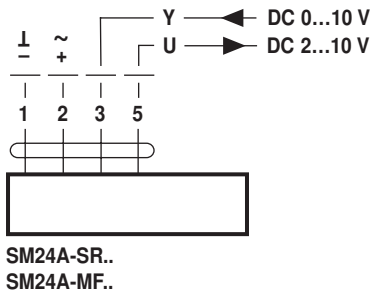
AC 24 V / DC 24 V



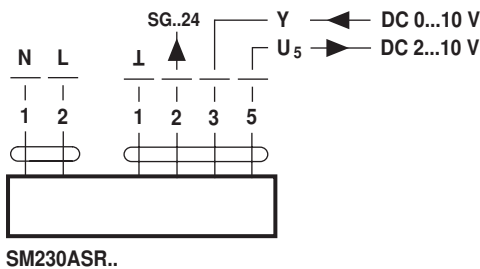
AC 100 ... 240 V ⚠



AC 24 V / DC 24 V



AC 100 ... 240 V ⚠



AC 24 V / DC 24 V
(SM24A-V / VR..)

